

Kirrawee

**TRU-BLU
WINDOWS** PTY.
LTD.

Paul Cassilles

160 Garnet Road,
Kirrawee, N.S.W. 2232.
(Near Bath Road Corner)

www.trubluwindows.com.au

Ph: 9521 3754 Fax: 9521 2679

TRU BLU

WINDOWS PTY. LIMITED

TRU-BLU FEATURES

SLIDING WINDOWS AND SLIDING DOOR FEATURES:

- Manufactured to comply with Australian Standards AS2047-1977 and AS1288 - 1994.
- Adjustable nylon gliding rollers.
- Baffled drain slots to allow water to drain outside and deter 'blow back'.
- Corner gaskets to seal all frame corners.
- Continuous fixing flanges to protect timber linings of corners.
- PVC glazing channel protects both sides of glass.
- Mohair weather seals to minimise draughts and rattles.
- Screen tracks that easily accept screens without requiring further clips or fittings.

ADDITIONAL SLIDING DOOR FEATURES:

- Safety toughened glass in standard modular sizes.
- Safety laminated glass in special sizes.
- Security key deadlocks installed on the inside of all doors, plus Keylock on outside.
- Fully assembled doors which save customers precious time and ensure correct operation.

ADDITIONAL DOUBLE HUNG FEATURES:

- Security key deadlock standard.



TRU-BLU STANDARD COLOURS

Clear Anodised, Bronze Anodised
White, Primrose, Hammersley Brown, White Birch
Black (All Powdercoat Colours)
Other Colours Available (P.O.A.)

SLIDING WINDOWS - 'OF'

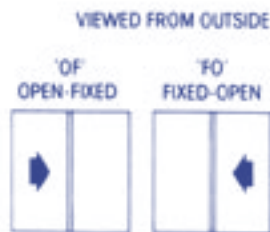
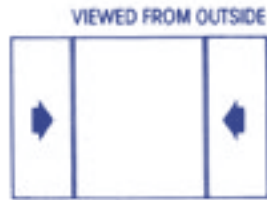
ALUMINIUM FRAME SIZES

WINDOW CODE 'OF'	METRIC Height x Width	
2020	603	x 596
2029	603	x 836
2037	603	x 1.076
2040	603	x 1.196
2044	603	x 1.316
2052	603	x 1.556
20511	603	x 1.796
2064	603	x 1.916
20611	603	x 2.116
<hr/>		
3120	943	x 596
3129	943	x 836
3137	943	x 1.076
3140	943	x 1.196
3144	943	x 1.316
3152	943	x 1.556
31511	943	x 1.796
3164	943	x 1.916
31611	943	x 2.116
<hr/>		
4029	1.203	x 836
4037	1.203	x 1.076
4040	1.203	x 1.196
4044	1.203	x 1.316
4052	1.203	x 1.556
40511	1.203	x 1.796
4064	1.203	x 1.916
40611	1.203	x 2.116
<hr/>		
4937	1.463	x 1.076
4940	1.463	x 1.196
4944	1.463	x 1.316
4952	1.463	x 1.556
49511	1.463	x 1.796
4964	1.463	x 1.916
49611	1.463	x 2.116
<hr/>		
5437	1.623	x 1.076
5440	1.623	x 1.196
5444	1.623	x 1.316
5452	1.623	x 1.556
54511	1.623	x 1.796
5464	1.623	x 1.916
<hr/>		
6237	1.883	x 1.076
6240	1.883	x 1.196
6244	1.883	x 1.316
6252	1.883	x 1.556
62511	1.883	x 1.796

SLIDING WINDOWS - 'OFO'

ALUMINIUM FRAME SIZES

WINDOW CODE 'OFO'	METRIC Height x Width	
20510ss	603	x 1.788
2070	603	x 2.128
2075ss	603	x 2.248
20710	603	x 2.368
2082ss	603	x 2.488
2087	603	x 2.608
2094ss	603	x 2.848
20102	603	x 3.088
20110ss	603	x 3.328
20119	603	x 3.568
<hr/>		
31510ss	943	x 1.788
3170	943	x 2.128
3175ss	943	x 2.248
31710	943	x 2.368
3182ss	943	x 2.488
3187	943	x 2.608
3194ss	943	x 2.848
31102	943	x 3.088
31110ss	943	x 3.328
31119	943	x 3.568
<hr/>		
40510ss	1.203	x 1.788
4070	1.203	x 2.128
4075ss	1.203	x 2.248
40710	1.203	x 2.368
4082ss	1.203	x 2.488
4087	1.203	x 2.608
4094ss	1.203	x 2.848
40102	1.203	x 3.088
40110ss	1.203	x 3.328
40119	1.203	x 3.568
<hr/>		
4970	1.463	x 2.128
4975ss	1.463	x 2.248
49710	1.463	x 2.368
4982ss	1.463	x 2.488
4987	1.463	x 2.608
4994ss	1.463	x 2.848
49102	1.463	x 3.088
49110ss	1.463	x 3.328
49119	1.463	x 3.568
<hr/>		
5470	1.623	x 2.128
5475ss	1.623	x 2.248
54710	1.623	x 2.368
5482ss	1.623	x 2.488
5487	1.623	x 2.608
5494ss	1.623	x 2.848
54102	1.623	x 3.088
54110ss	1.623	x 3.328
54119	1.623	x 3.568
<hr/>		
6270	1.883	x 2.128
6275ss	1.883	x 2.248
62710	1.883	x 2.368
6282ss	1.883	x 2.488
6287	1.883	x 2.608
6294ss	1.883	x 2.848
62102	1.883	x 3.088
62110ss	1.883	x 3.328
62119	1.883	x 3.568



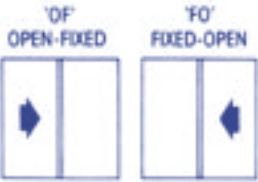
NOTES:
'OFO' Sliding sashes are normally one quarter of the window width.
ss Means sliding sashes slightly smaller than one quarter of the window width. Colonial bars will differ in size between sliding sash and fixed sash.
** Reveals add 40mm to height and width.

ALL SIZES ABOVE ARE TRU-BLU STANDARD SIZES. SPECIAL SIZE WINDOWS ARE AVAILABLE FOR A SMALL EXTRA CHARGE. ALL WINDOWS CAN BE SUPPLIED WITH TIMBER REVEAL FLYSCREENS, LOCKS, COLONIAL & FEDERATION BARS.



SLIDING DOORS ALUMINIUM FRAME SIZES

VIEWED FROM OUTSIDE



'FOF' - FIXED-OPEN-FIXED



'FOOF' - Fixed-Open-Open-Fixed



DOOR CODE 'OF' or 'FO'	METRIC Height x Width		
61150	2.056	X	1.506
611511	2.056	X	1.798
611611	2.056	X	2.102
611711	2.056	X	2.404

DOOR CODE 'FOF'	METRIC Height x Width		
61175	2.056	X	2.289
611810	2.056	X	2.727
611104	2.056	X	3.183
6111110	2.056	X	3.636

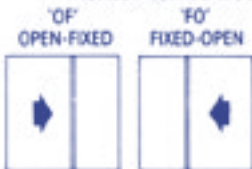
Also available in 'FFO' or 'OFF' configuration, but widths reduced by 23mm.

DOOR CODE 'FOOF'	METRIC Height x Width		
61199	2.056	X	2.976
611119	2.056	X	3.561
611139	2.056	X	4.168
611158	2.056	X	4.773

* Above 4.168 Doors may have to be delivered in pack form

SLIDING OFFSET DOORS - Made up with different size panels. Colonial Bar sizes differ according to panel size ALUMINIUM FRAME SIZES

VIEWED FROM OUTSIDE



'FOF-WS' - WIDER SASHES



'FOOF-WS' - WIDER SASHES



DOOR CODE 'OF' or 'FO'	METRIC Height x Width		
61155	2.056	X	1.652
61165	2.056	X	1.950
61174	2.056	X	2.253

Sliding Sash wider than fixed Sash - Mullion 75mm OFF-CENTRE.

DOOR CODE 'FOF'	METRIC Height x Width		
• 61180	2.056	X	2.435
•• 61185	2.056	X	2.581
• 61194	2.056	X	2.878
•• 611910	2.056	X	3.030
• 6111010	2.056	X	3.333
•• 611114	2.056	X	3.484

• Centre Sliding Sash wider than Side Fixed Sashes •• Centre Sliding and right hand Fixed Sashes wider than left hand sash. Also available in 'FFO' or 'OFF' configuration, but widths reduced by 35mm.

DOOR CODE 'FOOF'	METRIC Height x Width		
611109	2.056	X	3.268
611129	2.056	X	3.865
611148	2.056	X	4.471

• Centre Sliding Sash wider than Side Fixed Sashes

SPECIAL WIDTHS:

Providing height is 2056 special widths can be achieved by altering widths of 1 or 2 panels using laminated glass at an extra \$165 per panel.

PRICES INCLUDE:

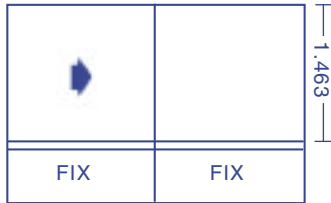
- Safety toughened glass except Hi-Lites.
- Internal security deadlock.
- External keylock.
- Doors fully assembled except large widths.

SPECIAL DOORS ON APPLICATION



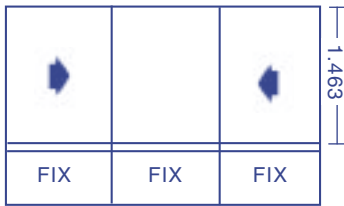
SLIDING WINDOWS WITH FIXED LOWLITES

ALUMINIUM FRAME SIZES



WINDOW CODE 'OF' S / W and L / LITE	METRIC Height x Width		
	6729	2.000	X
6737	2.000	X	1.076
6740	2.000	X	1.196
6744	2.000	X	1.316
6752	2.000	X	1.556
67511	2.000	X	1.796
6764	2.000	X	1.916
67511	2.000	X	2.116

NOTES:
 ** Reveals add 40mm to height and width



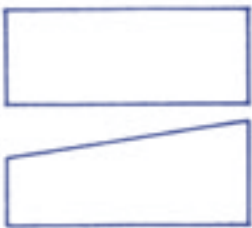
'OF' S / W and L / LITE	METRIC Height x Width		
67510ss	2.000	X	1.788
6770	2.000	X	2.128
6775ss	2.000	X	2.248
67710	2.000	X	2.368
6782ss	2.000	X	2.488
6787	2.000	X	2.608
6794ss	2.000	X	2.848
67102	2.000	X	3.088
67110ss	2.000	X	3.328
67119	2.000	X	3.568

NOTES:

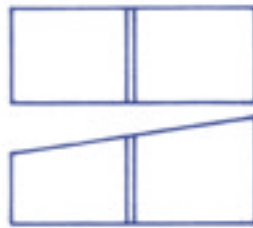
- 'OFO' sliding sashes are normally one quarter of the window width.
- ss means sliding sashes slightly smaller than one quarter of the window width. Colonial bars will differ in size between sliding sash and fixed sash. Similarly care is needed in selecting Hi-Lite and Lowlite heights to preserve similar colonial bar sizes.

Height of top sliding window can be altered for small extra charge.

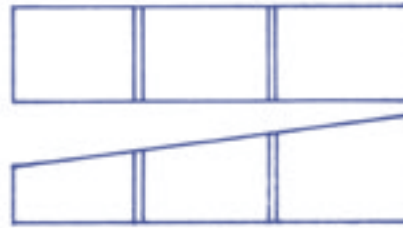
FIXED WINDOWS:



\$165 extra



\$242 extra



\$319 extra

RECTANGULAR FRAMES:

Prices as per Sliding Windows plus \$40 extra.

RAKED HEADS:

Prices as per Rectangular Frames plus \$165 per frame plus \$77 each mullion.



DOUBLE HUNG

ALUMINIUM FRAME SIZES

WINDOW CODE 'DH'	METRIC Height x Width		
21020	857	x	600
21031	857	x	940
3820	1.097	x	600
3831	1.097	x	940
38311	1.097	x	1.200
4020	1.217	x	600
4031	1.217	x	940
40311	1.217	x	1.200
4520	1.337	x	600
4531	1.337	x	940
45311	1.337	x	1.200
5320	1.577	x	600
5331	1.577	x	940
53311	1.577	x	1.200
6020	1.817	x	600
6031	1.817	x	940
60311	1.817	x	1.200
6720	2.000	x	600
6731	2.000	x	940
67311	2.000	x	1.200

DOUBLE HUNG LOWLITES:

6720	2.000	X	600
6731	2.000	X	940
67311	2.000	X	1.200

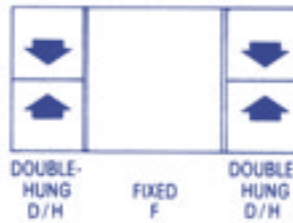


DOUBLE HUNG - FIXED - DOUBLE HUNG

ALUMINIUM FRAME SIZES

WINDOW CODE D / H-F-D / H	METRIC Height x Width		
21070	857	x	2.128
21087	857	x	2.608
210102	857	x	3.088
3870	1.097	x	2.128
3887	1.097	x	2.608
38102	1.097	x	3.088
38130	1.097	x	3.944
4070	1.217	x	2.128
4087	1.217	x	2.608
40102	1.217	x	3.088
40130	1.217	x	3.944
4570	1.337	x	2.128
4587	1.337	x	2.608
45102	1.337	x	3.088
45130	1.337	x	3.944
5370	1.577	x	2.128
5387	1.577	x	2.608
53102	1.577	x	3.088
53130	1.577	x	3.944
6070	1.817	x	2.128
6087	1.817	x	2.608
60102	1.817	x	3.088
60130	1.817	x	3.944

VIEWED FROM OUTSIDE



KEYLOCKS

All D / H windows have keyed locks standard at no extra cost.

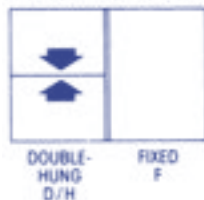
** Reveals add 40mm to height and width

DOUBLE HUNG AND FIXED CONFIGURATIONS

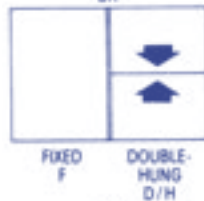
ALUMINIUM FRAME SIZES

WINDOW CODE 'DH'	METRIC Height x Width		
21040	857	x	1.210
21063	857	x	1.886
3840	1.097	x	1.210
3863	1.097	x	1.890
38711	1.097	x	2.410
4040	1.217	x	1.210
4063	1.217	x	1.890
40711	1.217	x	2.410
4540	1.337	x	1.210
4563	1.337	x	1.890
45711	1.337	x	2.410
5340	1.577	x	1.210
5363	1.577	x	1.890
53711	1.577	x	2.410
6040	1.817	x	1.210
6063	1.817	x	1.890
60711	1.817	x	2.410
6740	2.000	x	1.210
6763	2.000	x	1.890
67711	2.000	x	2.410

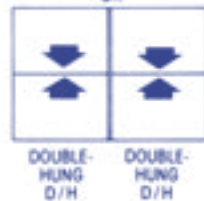
VIEWED FROM OUTSIDE



OR



OR



HINGE DOORS



DOOR SIZES:

Deduct 5mm from Door Opening height and width for clearance. Nominate extra sill clearance for future carpet or tiles.

IMPORTANT

All doors to be glazed with safety glass.

INFORMATION WHEN ORDERING

- Open 'In' or 'Out'
- Hinges 'Left' or 'Right'
- Looking from outside

INCLUDES:

- Double Cylinder Deadlock
- 3 Easy-Fix Hinges
- Clear safety glass

NOTES:

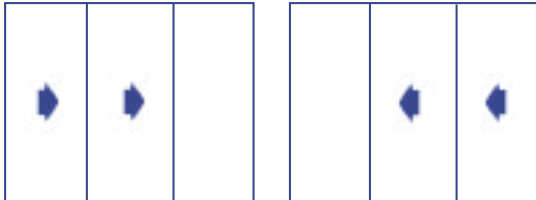
Frame price includes 4 loose full height angles (25x12mm) to secure jambs. DOUBLE DOORS AVAILABLE AT DOUBLE THE PRICE. Reveals add 20mm to height and 40mm to width. If frame required-nominate sill clearance under door.





MULTI TRACK, STACKING, DUO DOORS

Available with timber reveal (150mm minimum) and flyscreens (security not available)



METRIC Height		METRIC Width
2.077	x	2.249
2.077	x	2.687
2.077	x	3.143
2.077	x	3.596



METRIC Height		METRIC Width
2.077	x	4.440
2.077	x	5.316
2.077	x	6.228
2.077	x	7.134

• SPECIAL SIZES AVAILABLE

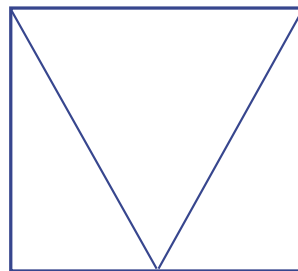
ALUMINIUM AWNING WINDOWS

All windows provided with lockable chain winder.

All windows can be supplied with Timber Reveals, Flyscreens, Colonial and Federation Bars.

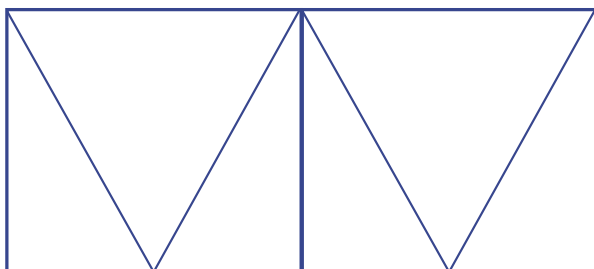
SINGLE AWNINGS

METRIC Height		METRIC Width
up to .603	up to	.836
up to .603	up to	1.196
up to .603	up to	1.556
up to .943	up to	.836
up to .943	up to	1.196
up to .943	up to	1.556
up to 1.203	up to	.836
up to 1.203	up to	1.196
up to 1.463	up to	.836
up to 1.463	up to	1.196



AWNING / AWNING

METRIC Height		METRIC Width
up to .603	up to	1.196
up to .603	up to	1.556
up to .603	up to	1.796
up to .943	up to	1.196
up to .943	up to	1.556
up to .943	up to	1.796
up to 1.203	up to	1.196
up to 1.203	up to	1.556
up to 1.203	up to	1.796
up to 1.463	up to	1.196
up to 1.463	up to	1.556
up to 1.463	up to	1.796



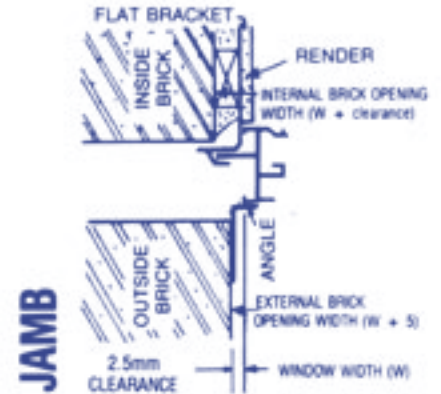
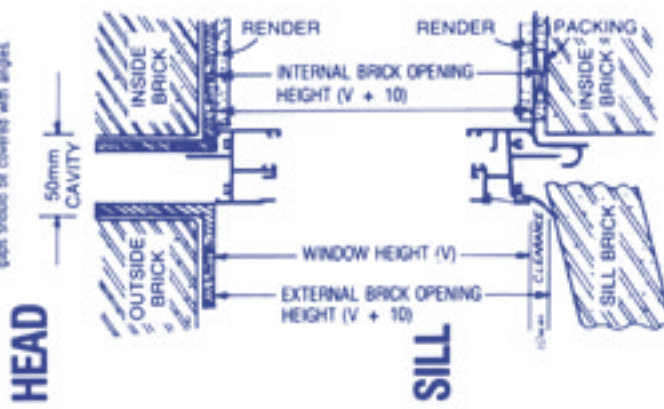


RENOVATING

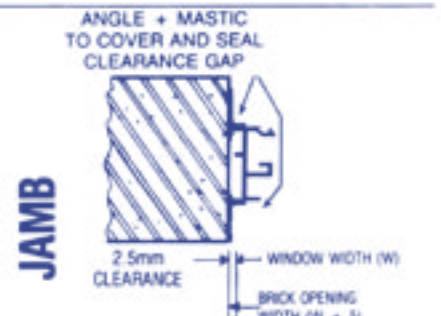
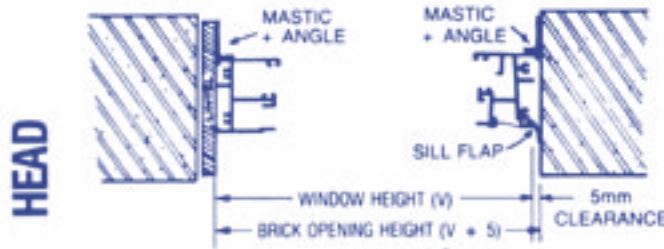
SOME FIXING DETAILS FOR INSTALLING WINDOWS INTO EXISTING OPENINGS

CAVITY BRICK**

** If external brick opening is less than external brick opening then sills must be reduced accordingly and resulting external gaps should be covered with angles.

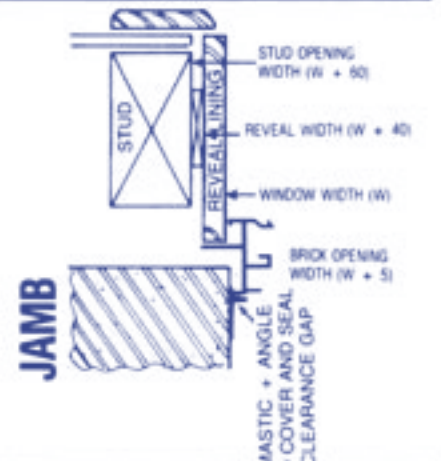
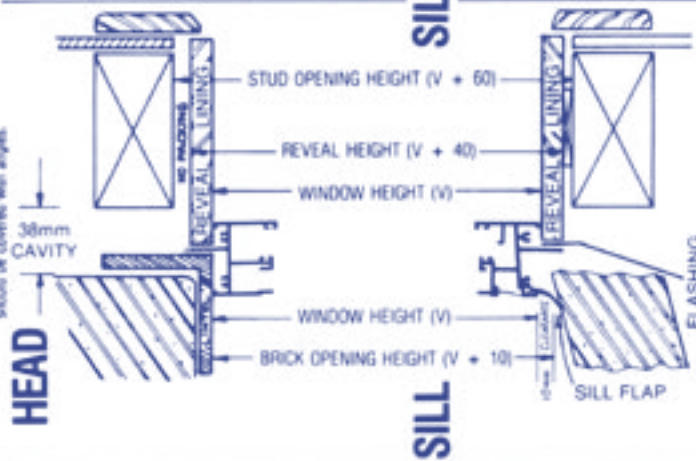


SINGLE BRICK

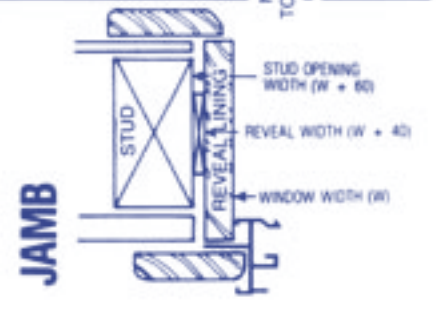
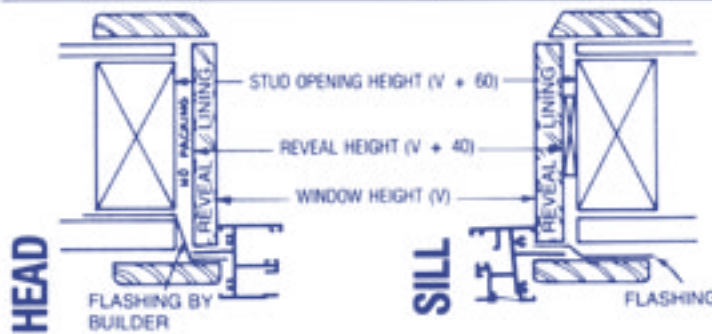


BRICK VENEER*

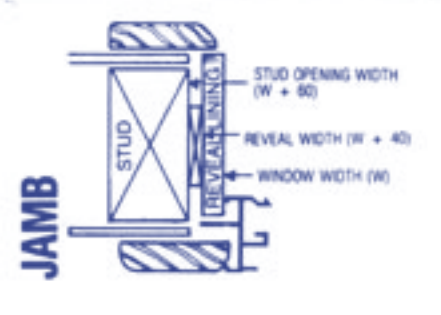
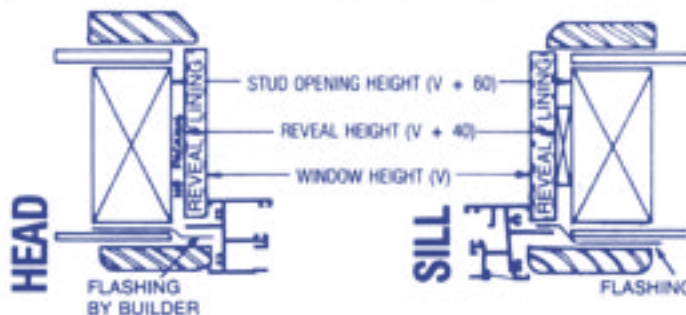
* If stud is set back less than 20mm from brickwork, then sills must be reduced accordingly and resulting external gaps should be covered with angles.



WEATHERBOARD /PERMALUM



FIBRO

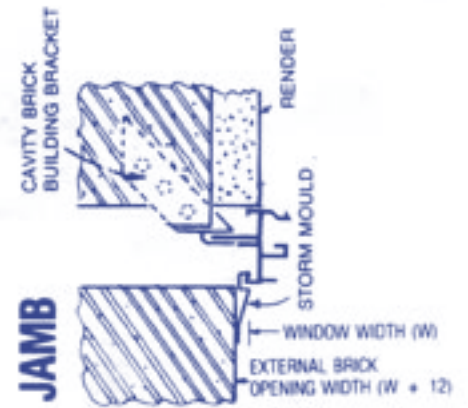
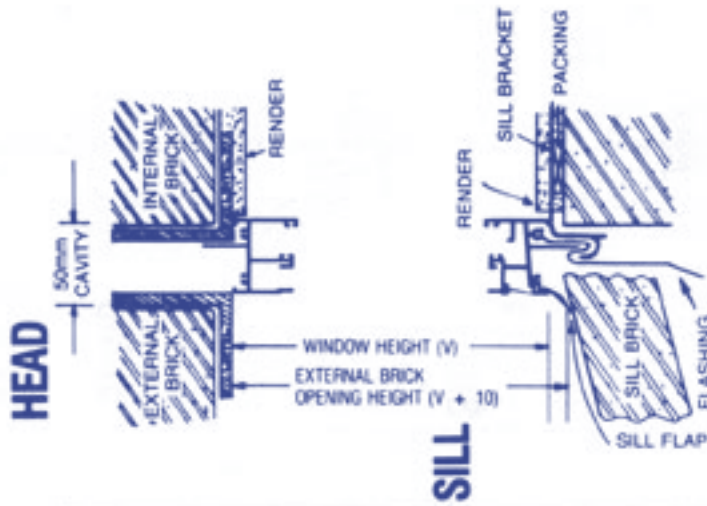




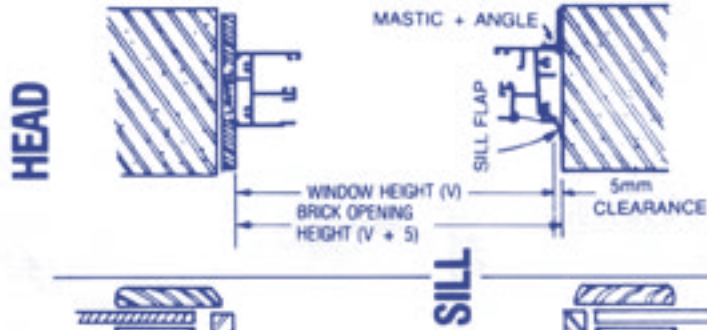
NEW WORK

SOME INSTALLATION DETAILS FOR BUILDING INTO NEW WORK

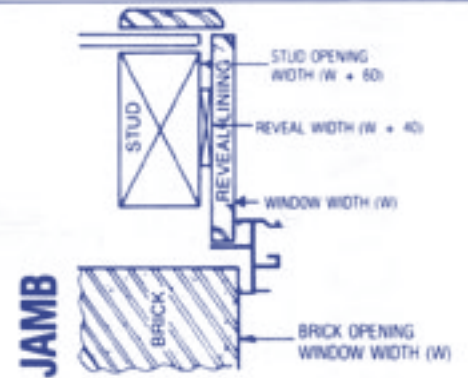
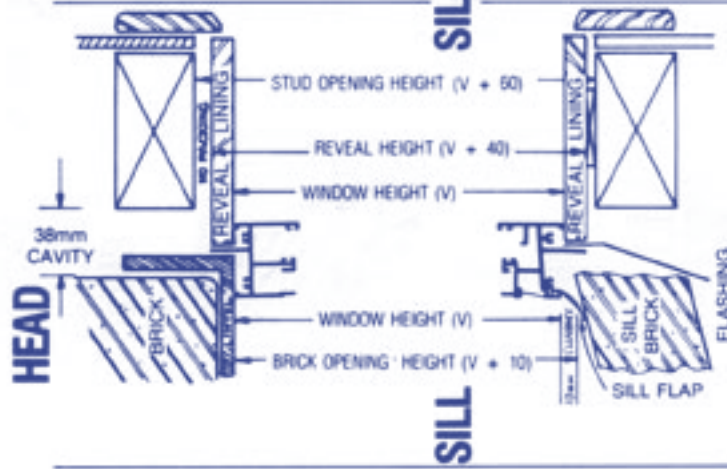
CAVITY BRICK



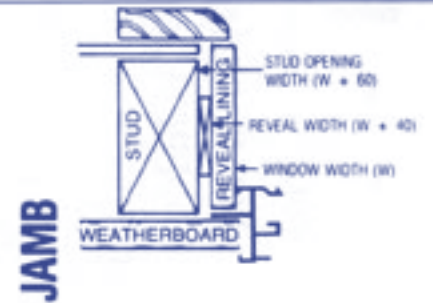
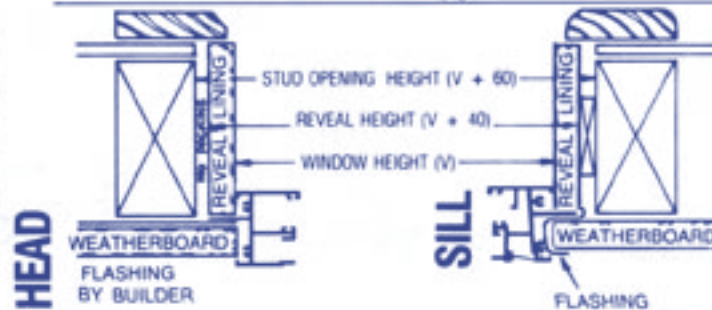
SINGLE BRICK



BRICK VENEER



WEATHERBOARD / PERMALUM



FIBRO

