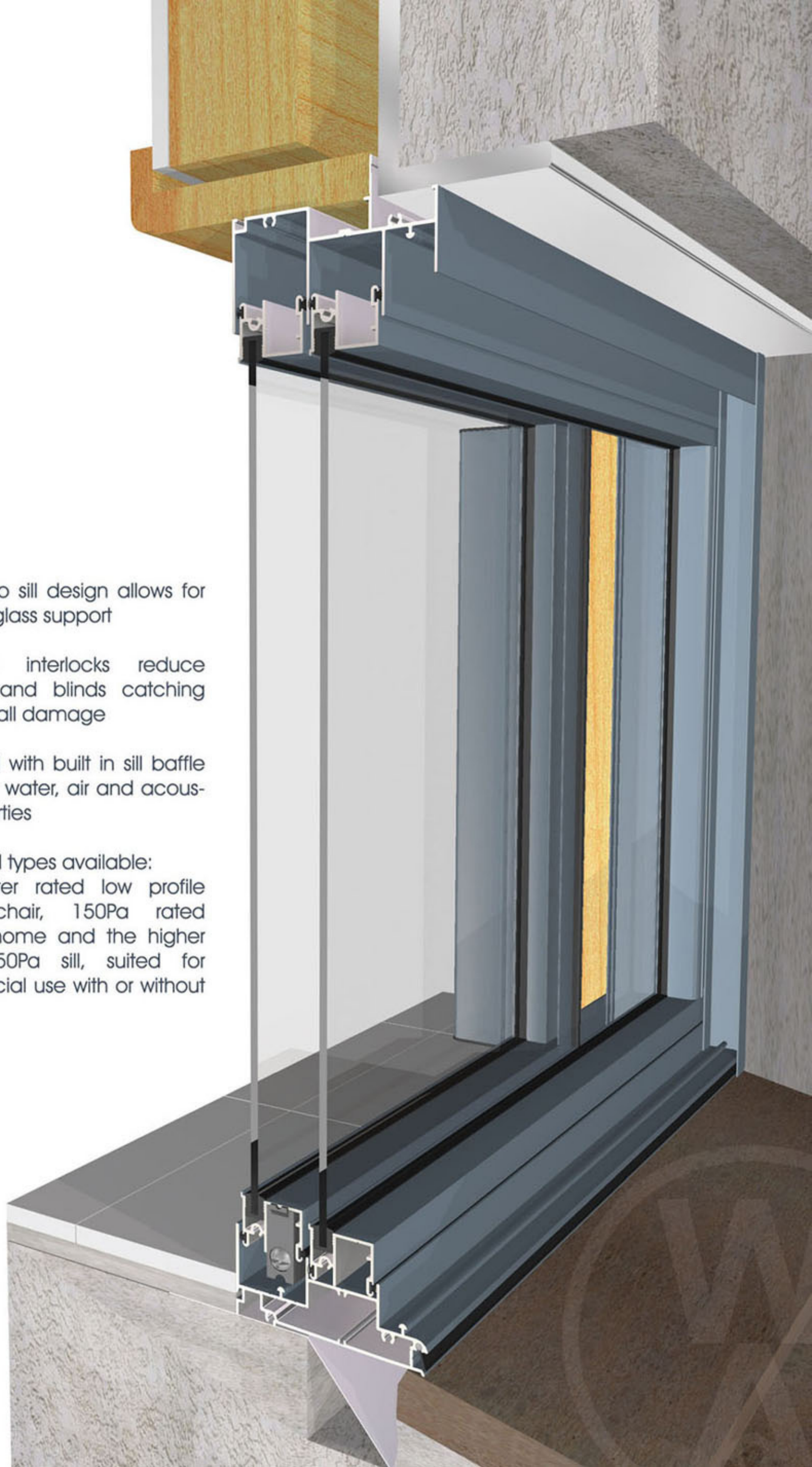


Sliding Door System

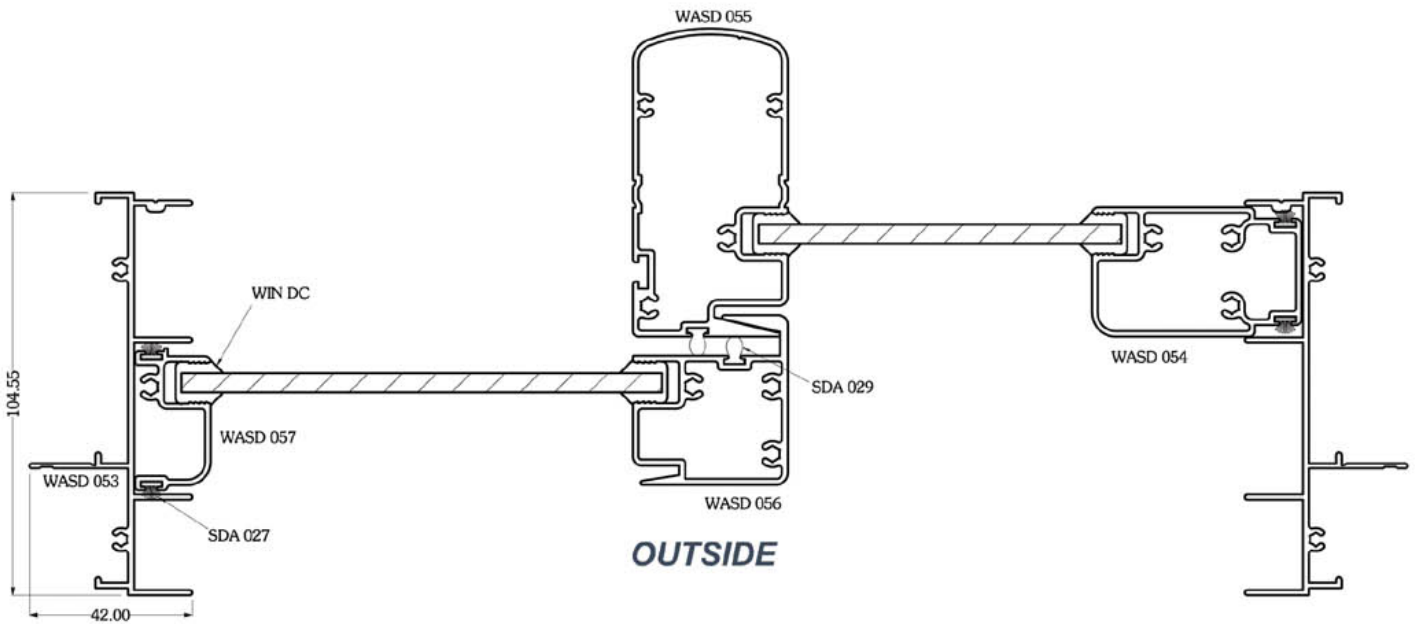
- Low rail to sill design allows for stronger glass support
- Rounded interlocks reduce curtains and blinds catching and overall damage
- Hollow sill with built in sill baffle for better water, air and acoustic properties
- Various sill types available:
Non water rated low profile wheel chair, 150Pa rated Nursing home and the higher rated 450Pa sill, suited for commercial use with or without sub sills



Sliding Door

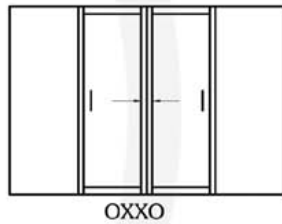
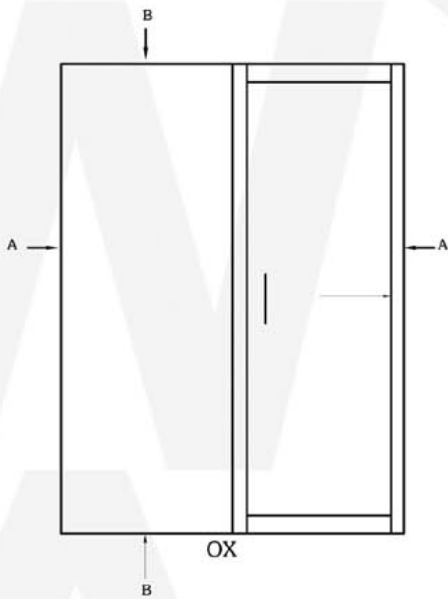
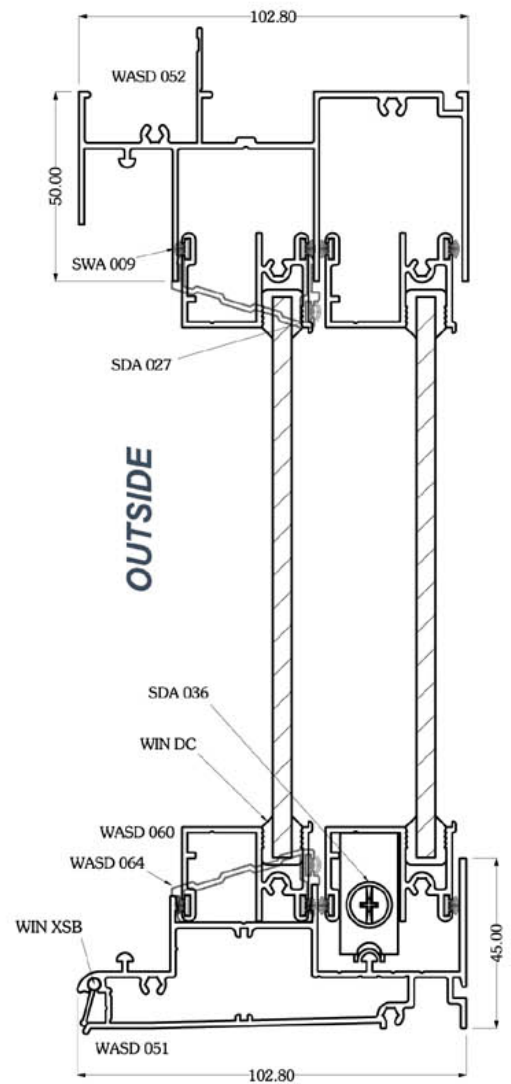
A - A

Technical Configurations - Scale 1:2



Typical Sliding Door - VIEW FROM OUTSIDE

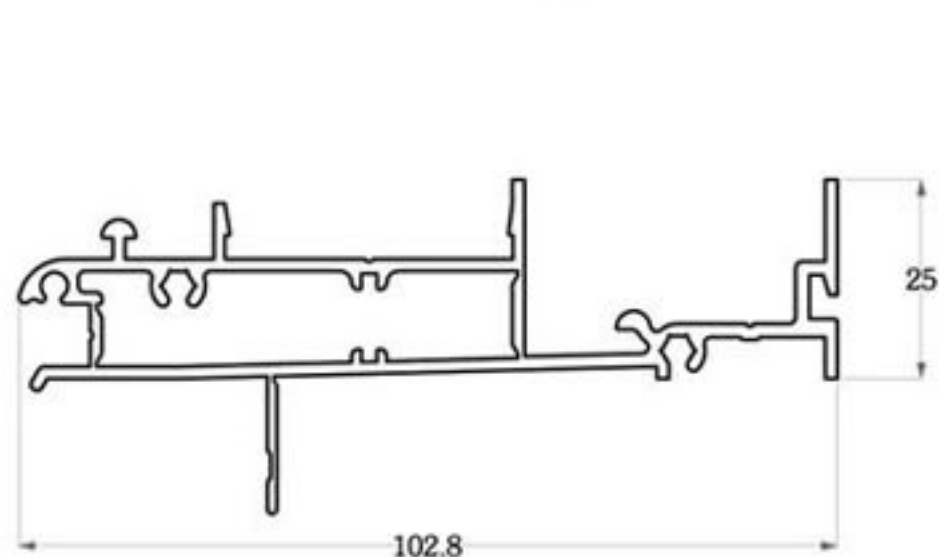
B - B



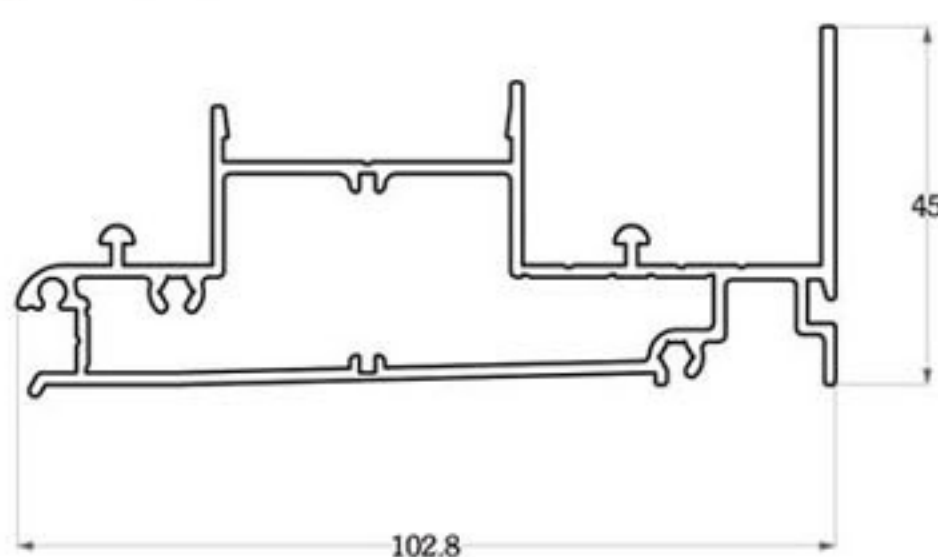
Contact your local Wintec Fabricator for other configuration options.

X - Sliding
O - Fixed

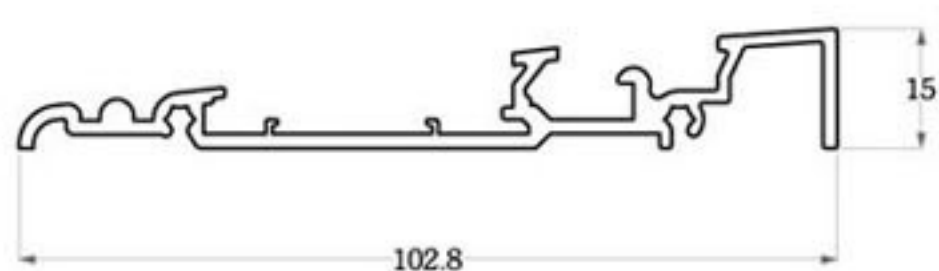
Door Low & High Rating Sills



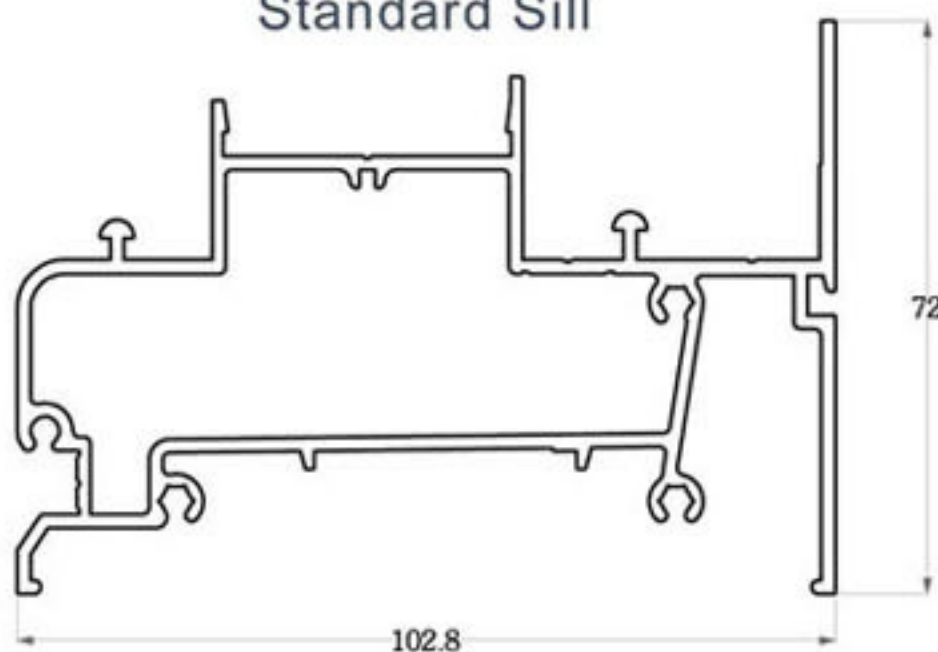
Nursing Home Sill



Standard Sill



Disabled Wheelchair Sill



450 / 600 Pa Sill

Maximum Sizes Table

***Note:** The Wintec Sliding Door is compatible with various brands of door handles and locks; See your local Wintec Fabricator for details

	3000	4500	6000
2700			

***Note:** For products or configurations outside of these sizes, or pressures exceeding 1000Pa please contact your nearest Wintec Fabricator