

Awning & Casement Window



Structural .

The Awning Window is a top hung system. The Casement Window is a side hung system. The frame width of this system is 48.2mm. Hollow sections including Mullions & Stiles give added strength and security. This system has a 1000 Pascal structural rating on a 1500mm high x 1200mm wide Awning.

Weather .

The Wintec Awning Windows will achieve a minimum water penetration resistance pressure of 300 Pascals.

Maintenance .

With an easy clean sill design, window cleaning is safer with rounded edges.

Aesthetics .

This system has no unfinished or exposed edges. All rails and stiles are rounded.

Additional Benefits .

The Wintec Awning Window can accommodate Friction Stays or a Top Hung system and chain winder. Multiple bays can be added using a standard mullion.

Options .

Insect / Security screens available as well as Double Glazing up to an 18mm pocket.



Awning Window System

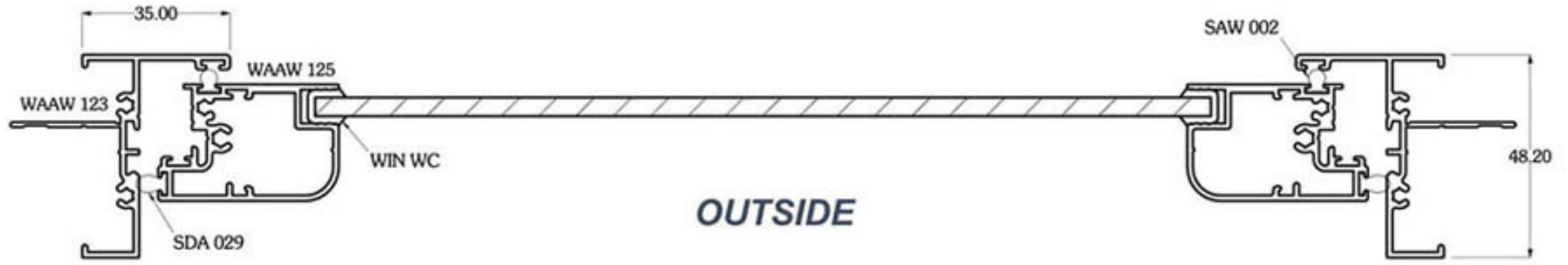
- Rounded hollow design increases strength, aesthetics and the ease of cleaning
- Chain winder and friction stay compatible for awning and casement window configurations
- Double Q'lon seals improve energy, weather and acoustic performance
- Mitred Sash



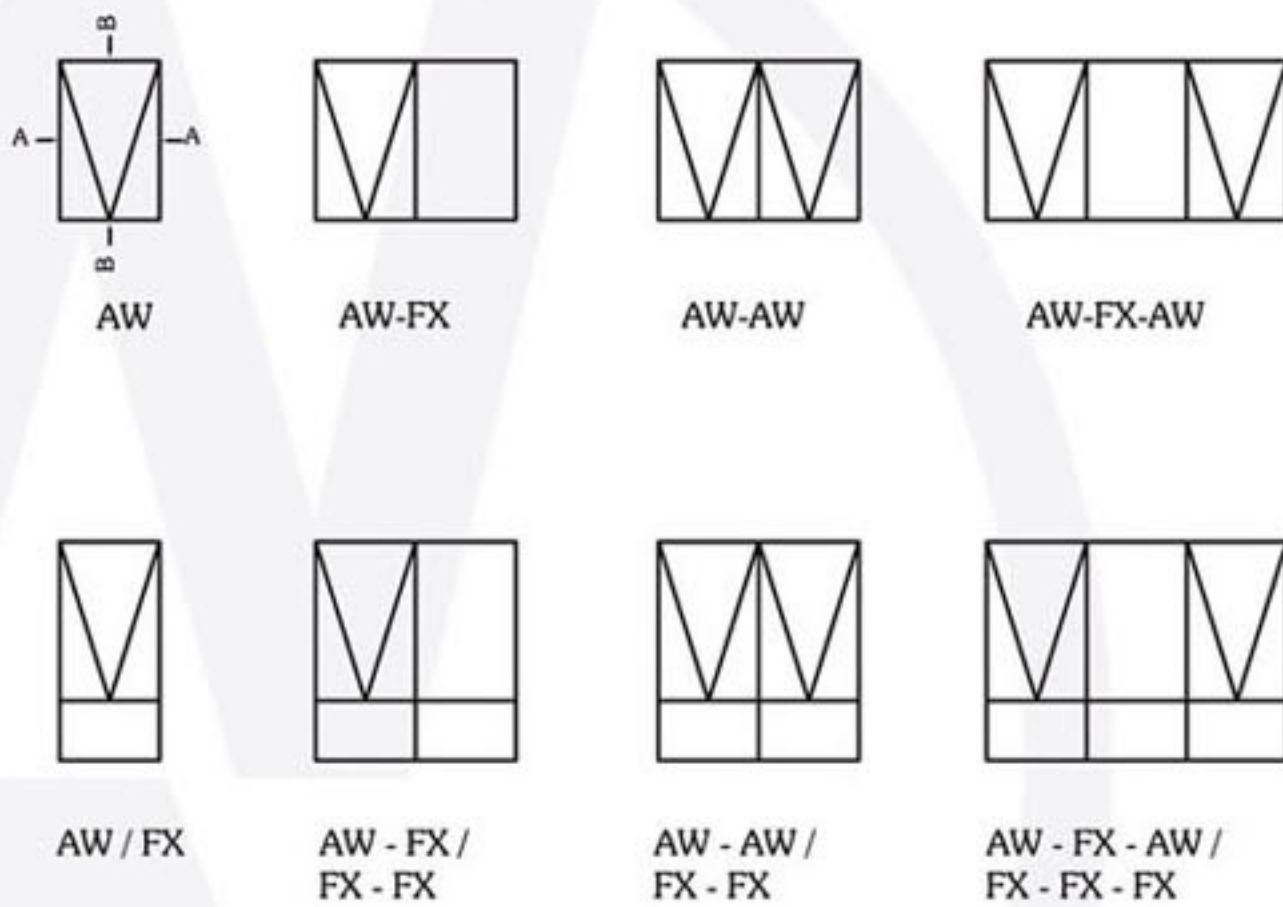
Awning Window

A - A

Technical Configurations - Scale 1:2



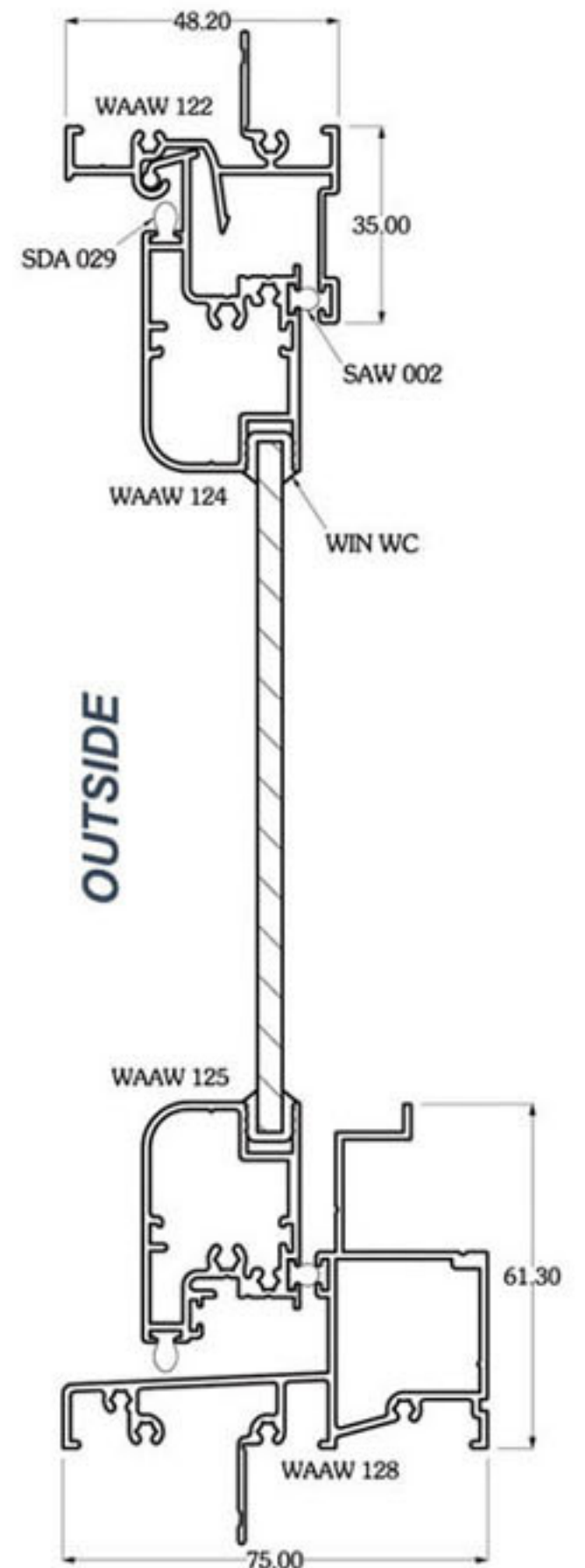
Typical Awning Window - VIEW FROM OUTSIDE



Contact your local Wintec Fabricator for other configuration options.

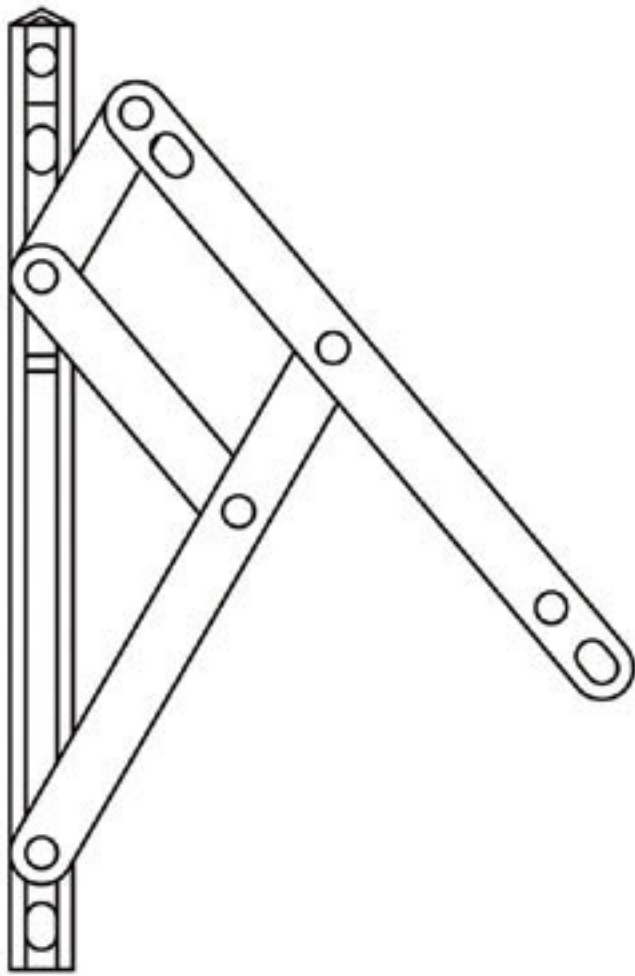
AW - Awning
FX - Fixed

B - B

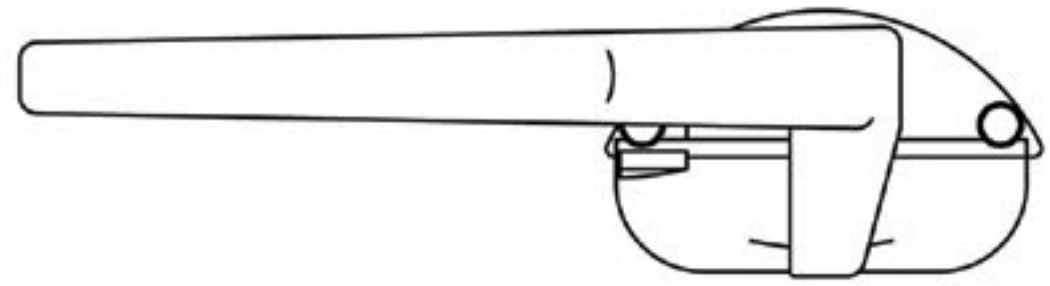


CROSS SECTION

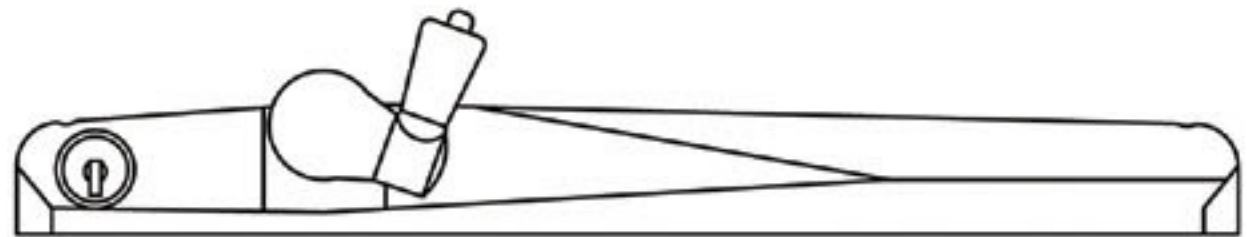
Awning Hardware



Stays



Self-latching Handle



Chain Winder

Maximum Sizes Table

	1200	2400	3600	4800	6000
1600					
2500					
2500					

***Note:** For products or configurations outside of these sizes, or pressures exceeding 1000Pa please contact your nearest Wintec Fabricator