

Double Hung Window



Structural .

Hollow sections including Mullions and Stiles give added strength and security. 1200 Pascal rating. The Double Hung Window system has a frame size of 61.5mm in width with a flyscreen channel. Without this channel the frame size is 48mm in width.

Weather .

The Wintec Double-Hung Window will achieve a maximum water penetration resistance pressure of 200 Pascals with a hollow sill section.

Aesthetics & Benefits .

There are 2 sash types available for this system, the Standard and Federation wide stile.

The Standard incorporates: Hollow rails for added strength, stiles are flush to the jambs offering clear sight lines, built in extruded handles in both top and bottom sash's and removable security and insect screens from inside the building.

The Federation wide stile incorporates: Removable security and insect screens from inside the building, Wide sash stiles replicate that of timber double hung windows, dual colour combinations are available (i.e. sash different to the frame) as well as decorative horns.



Double Hung Window

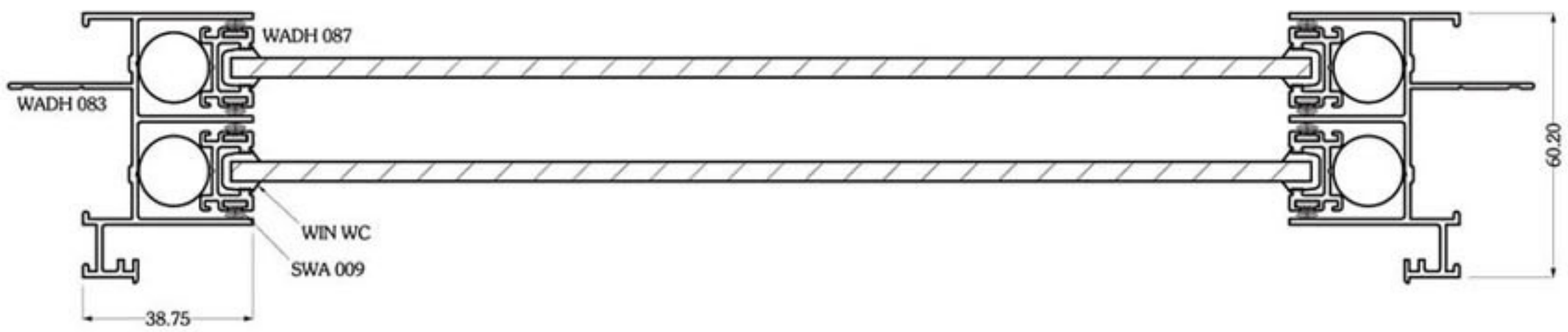
- 2 Sash types are available: Standard and Federation Wide Stile
- The Federation Wide Stile replicates that of timber Double Hung Windows
- Hollow rails give added strength
- Built-in extruded handles in both top and bottom sash's
- Security and insect screens are removable from inside the building



Double Hung Window

A - A

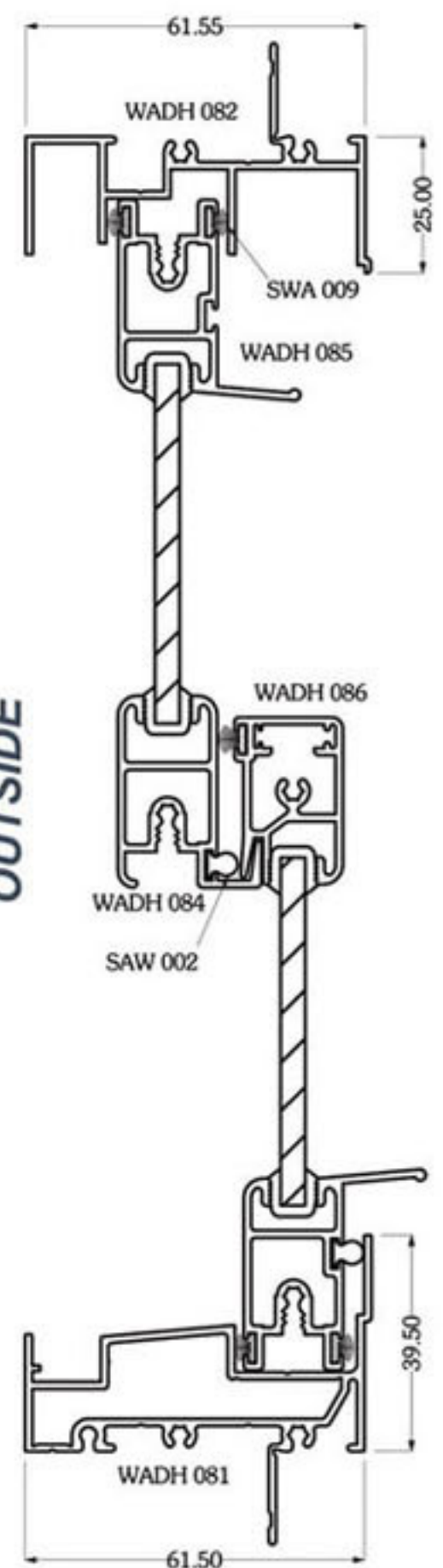
Technical Configurations - Scale 1:2



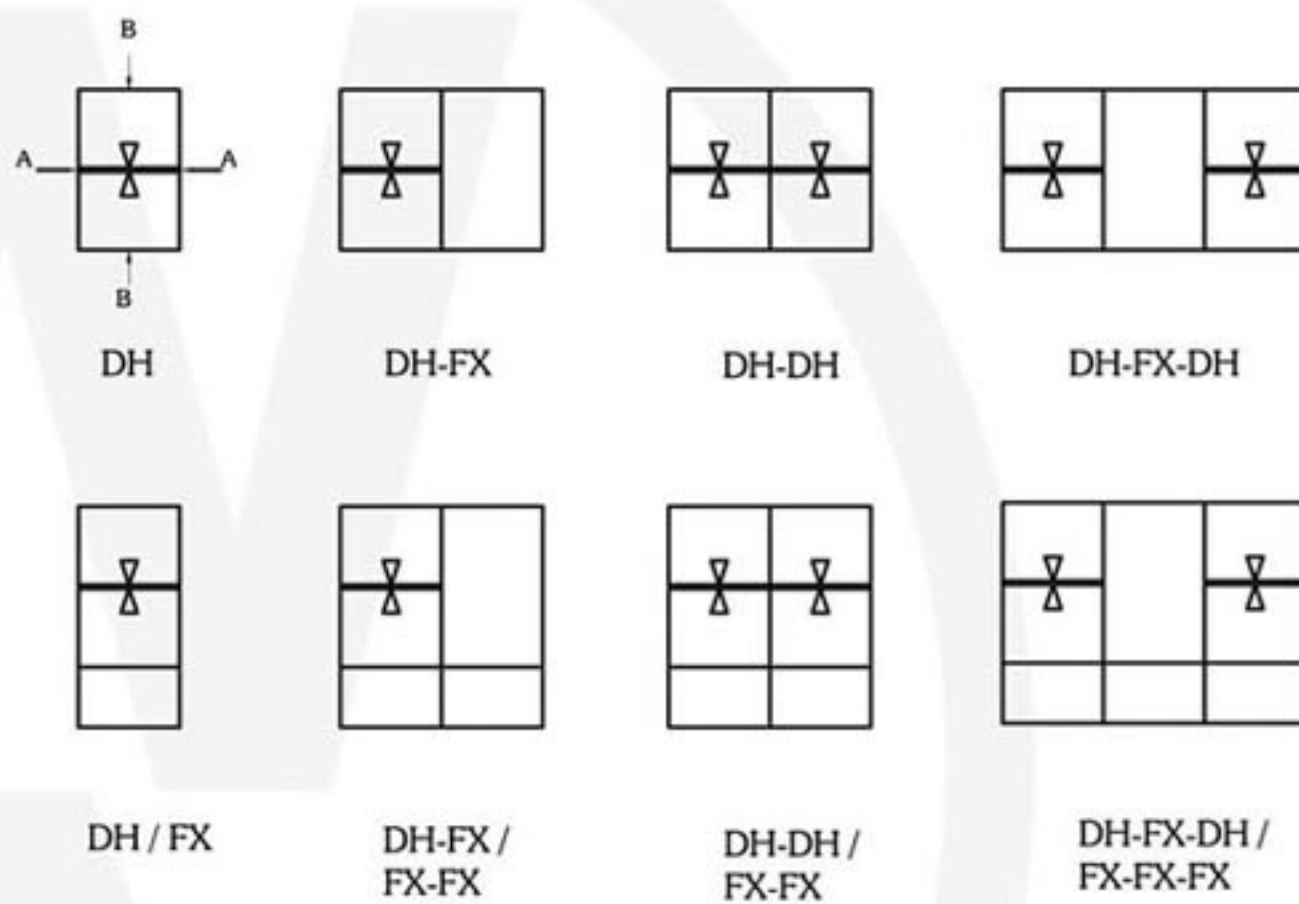
OUTSIDE

B - B

Typical Double Hung Window - VIEW FROM OUTSIDE



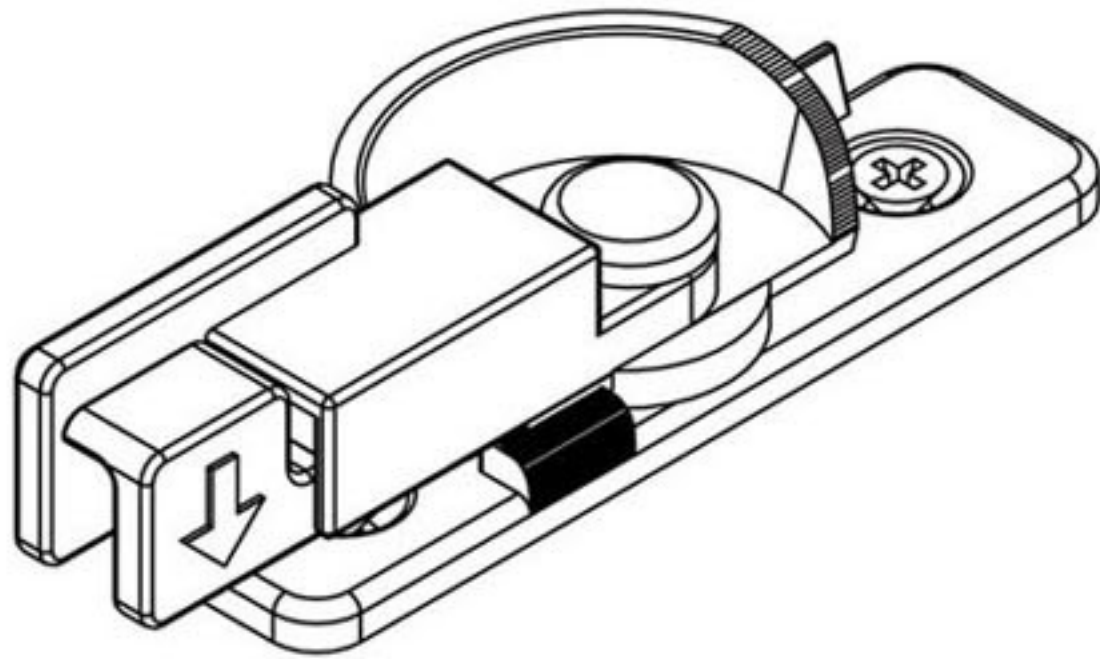
OUTSIDE



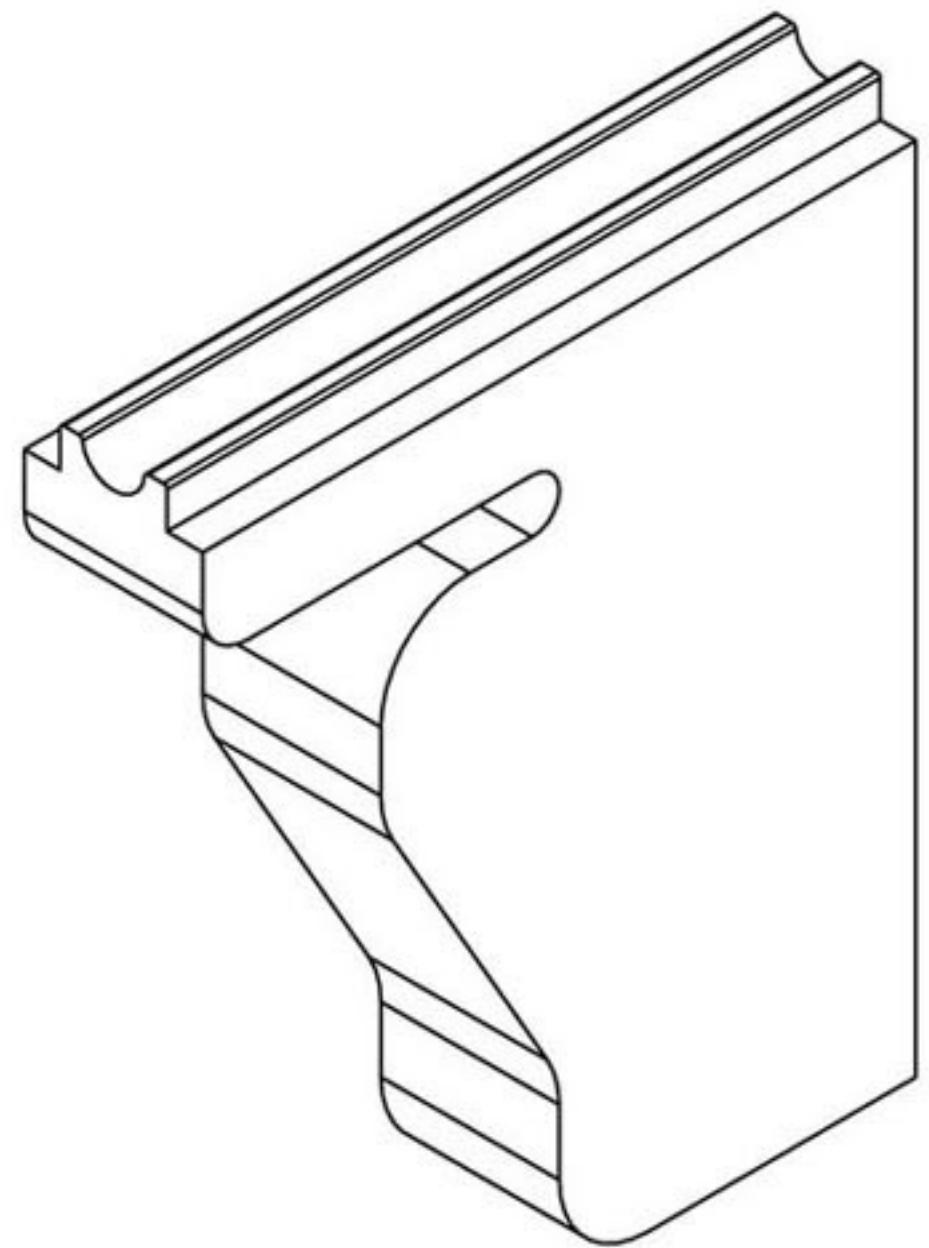
Contact your local Wintec Fabricator for other configuration options.

DH - Double Hung
FX - Fixed

Window Hardware



Sash / Lock Keeper



Federation Sash Horn

Maximum Sizes Table

900	3600	2700	3600	4500	5400
2400					
900	1800	2700	3600	4500	5400
2400					

***Note:** For products or configurations outside of these sizes, or pressures exceeding 1000Pa please contact your nearest Wintec Fabricator