

Sliding Window



Frame Widths .

Wintec Sliding Windows are available in 48, 65, 75 & 100mm frame widths; in finned, finless and face fix configurations. These systems can also be double glazed (18mm pocket) with adapters. Interchangeable sashes fit all 3 frame widths.

Structural .

Hollow sections give added strength and security. Heavy duty double rollers are standard on all Wintec Sliding Windows, which last longer and operate smoother than conventional types. Rounded hollow stiles add to the strength & will not catch on window coverings. The sash sits completely inside the frame which resists rolling of the top and bottom sash rail under high wind loads, with increased daylight opening.

Weather .

All Wintec Sliding Windows achieve a minimum water penetration resistance pressure of 250Pa. Varying the sill type will achieve ratings up to 600Pa. All wind load categories are catered for Australia wide. Wintec's hollow sill design helps achieve maximum weatherability.

Maintenance .

With an easy clean sill design, window cleaning is safer with rounded edges.

Aesthetics .

No unfinished or exposed edges. No internal projection of transom and sash sections. Sash rails top & bottom are concealed within the sill and frame. Genuine Wintec handles are ergonomically designed for ease of use for the elderly and disabled. The handles operate in the direction of the sash movement and are available in 4 colours.

Options .

Multi-position vent locking available, Standard or barrel key locking available, Insect / Security screens.



Sliding Window System

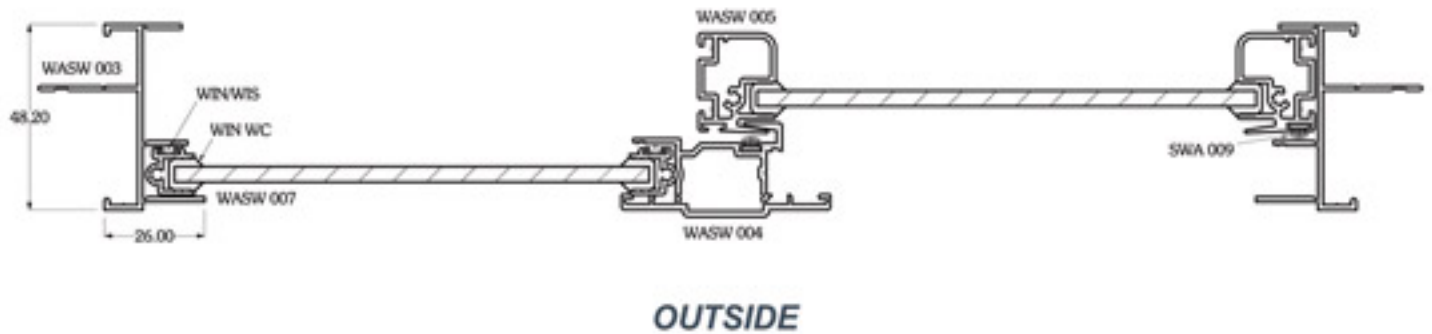
- Glazing thickness to 8.38mm as standard. Thicker glass and double glazing available.
- The flush rails to sill design gives increased strength and clear sight lines
- Non corrosive double wheel rollers
- Flat sill for ease of cleaning



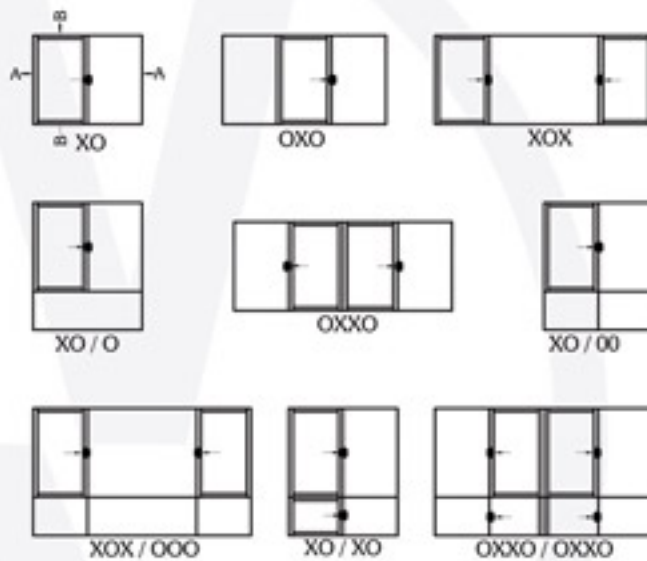
SLIDING WINDOW

A - A

Technical Configurations - Scale 1:2



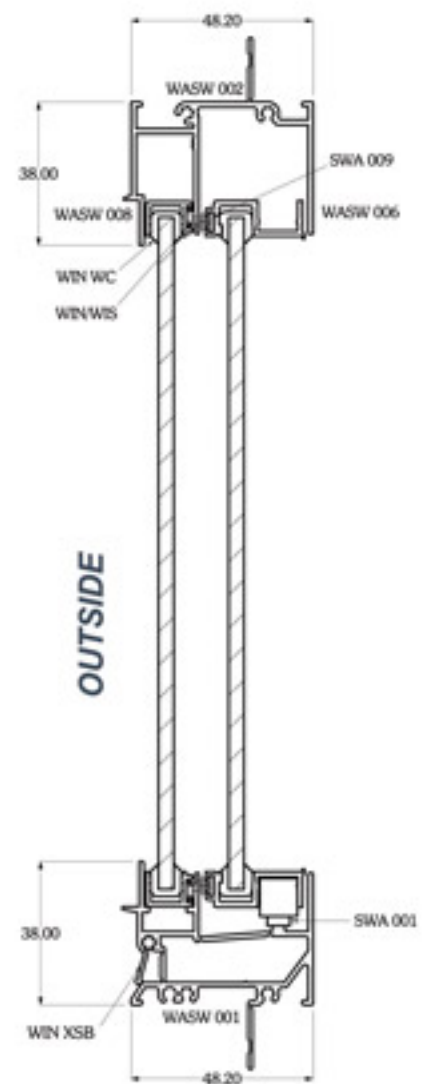
Typical 48mm Window - VIEW FROM OUTSIDE



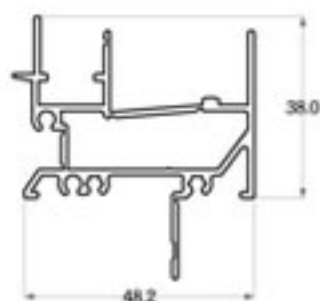
Contact your local Wintec Fabricator for other configuration options.

X - Sliding
O - Fixed

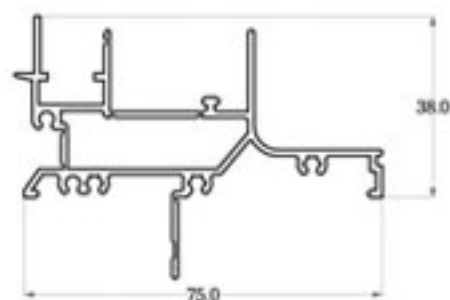
B - B



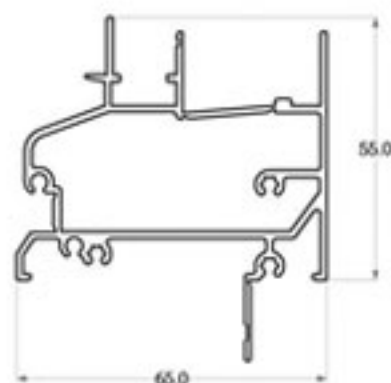
Window Sills



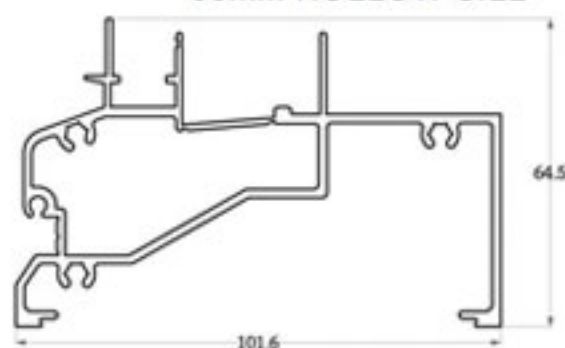
48mm HOLLOW SILL



75mm HOLLOW SILL



65mm HOLLOW SILL



100mm HOLLOW SILL

Maximum Sizes Table

	2400	3600	3600	4800
1600				
2500	2400	3600	3600	4800
900				
2500	2400	3600	3600	4800
1600				
900				

***Note:** For products or configurations outside of these sizes, or pressures exceeding 1000Pa please contact your nearest Wintec Fabricator